

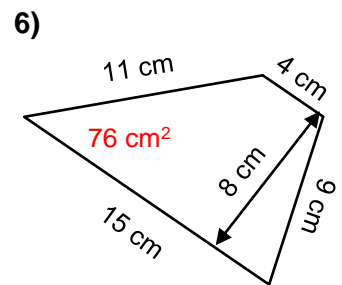
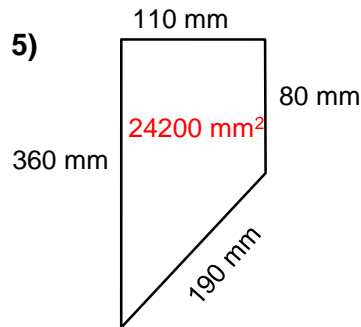
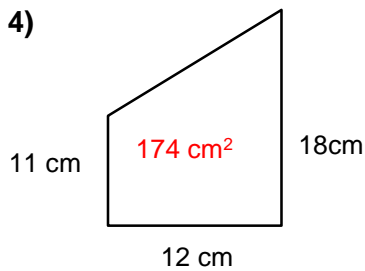
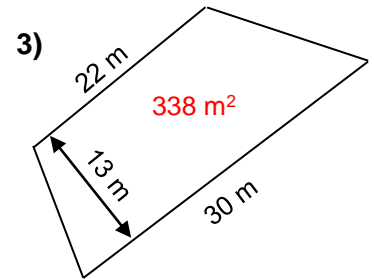
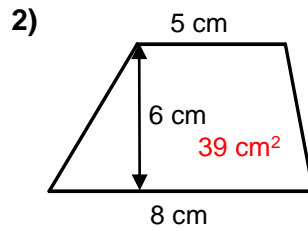
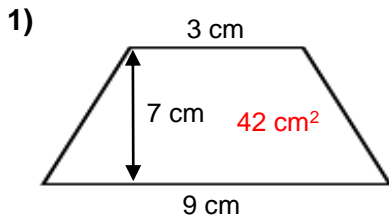
# Area of Quadrilaterals (B)

ANSWERS

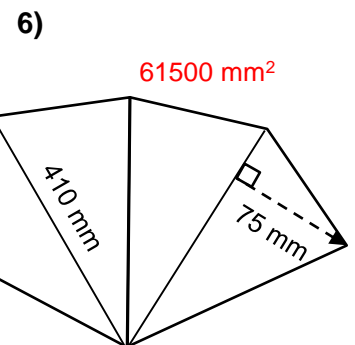
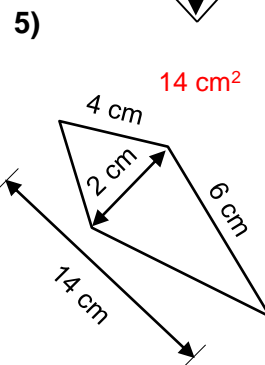
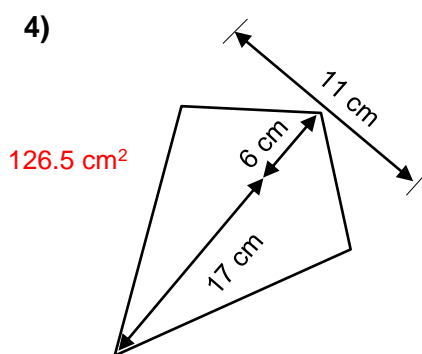
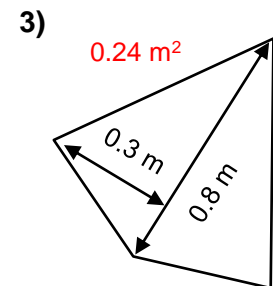
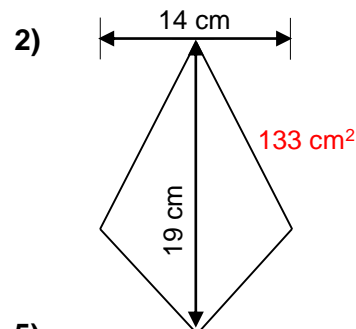
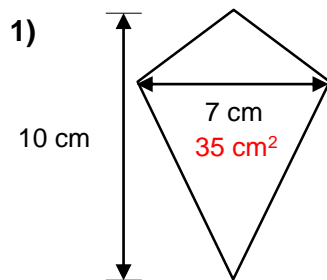


NOT TO  
SCALE

**Section A:** Work out the area of the following trapezia.



**Section B:** Work out the area of the following kites.



## Extension

Work out the area of the following arrow-heads.

