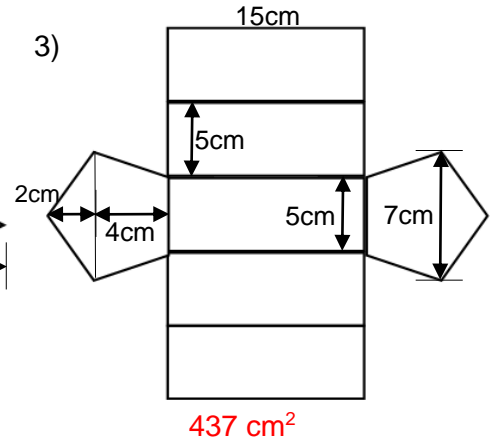
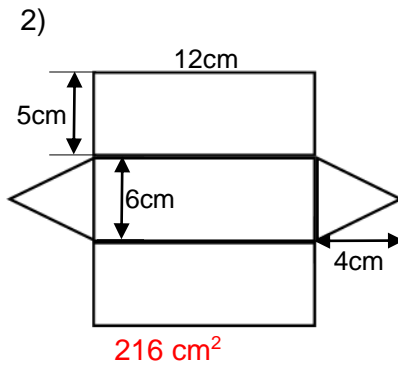
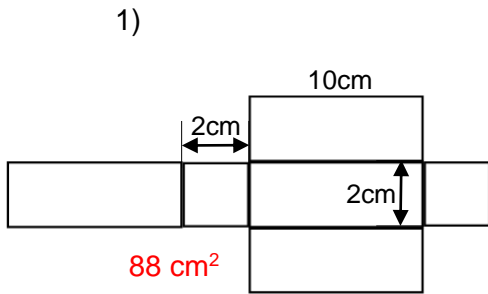


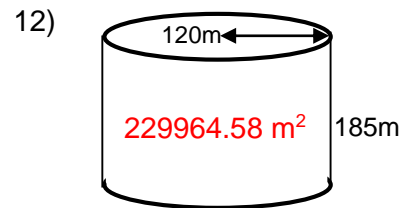
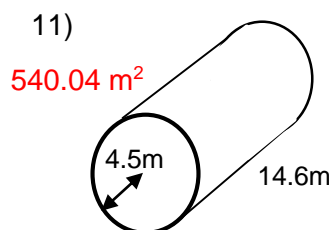
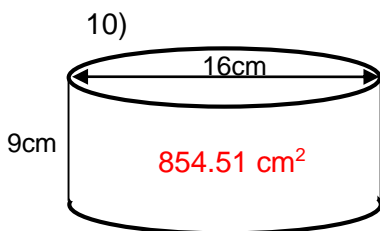
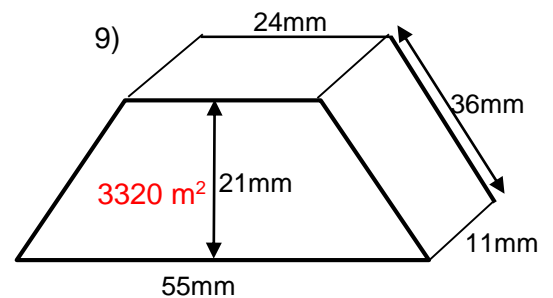
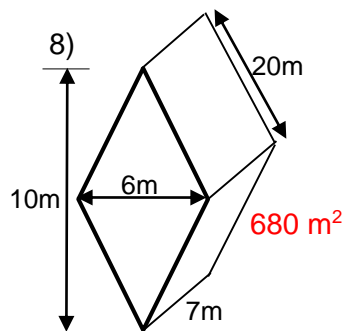
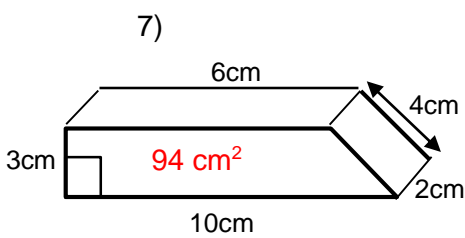
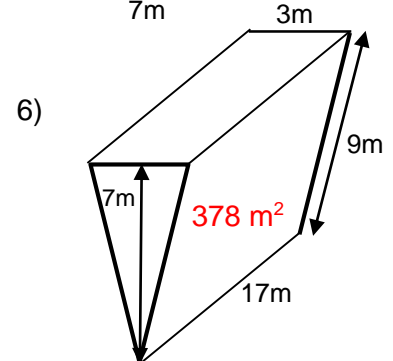
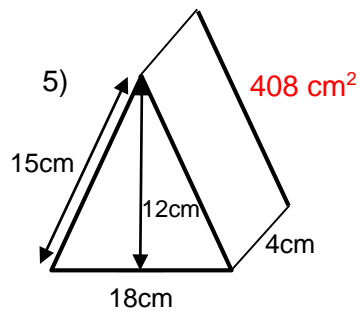
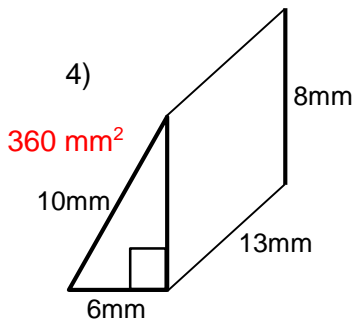
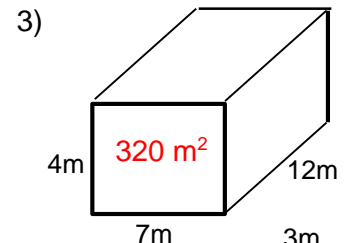
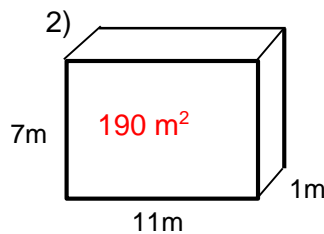
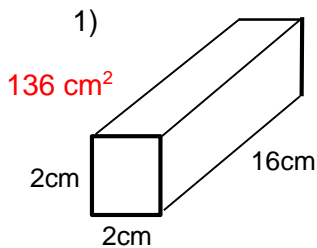
# Surface Area of Prisms



## Section A: Work out the surface area of the nets.



## Section B: Work out the surface area of the objects.



Extension : Find the volume of the shapes above.